

Rotating Angle Brackets

Zinc Die Casting, for Aluminum Profiles
(i-Modular System)

SPECIFICATION

Type

- Type **C**: With fastening set

Housing

Zinc Die Casting

Painted, white aluminum **ZW**

Fastening set

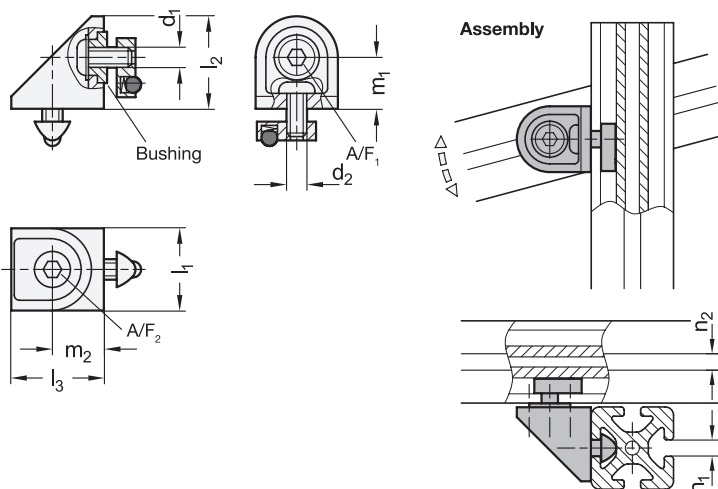
Screws, T-nuts and bushing

Steel, zinc plated, blue passivated **SZ**



INFORMATION

Rotating angle brackets GN 41i connect two intersecting aluminum profiles, rotatably mounted via a bushing. Machining of the profile is not necessary.



GN 41i

Description	l ₁	n ₁	n ₂	d ₁	d ₂	l ₂	l ₃	m ₁	m ₂	A/F ₁	A/F ₂	Δ
GN 41i-2466-C-ZWSZ	24	6	6	M 6	M 6	27	27	15	15	4	4	65
GN 41i-3288-C-ZWSZ	32	8	8	M 8	M 8	36	36	20	20	5	5	135